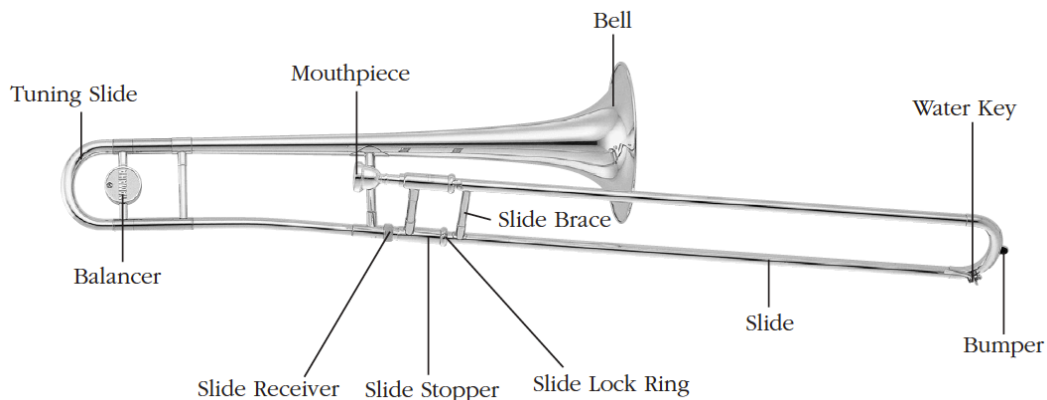
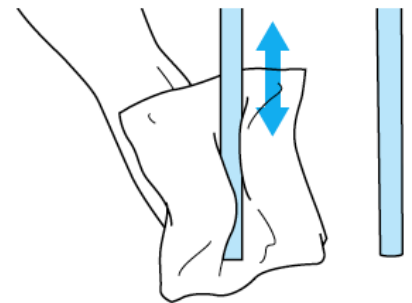
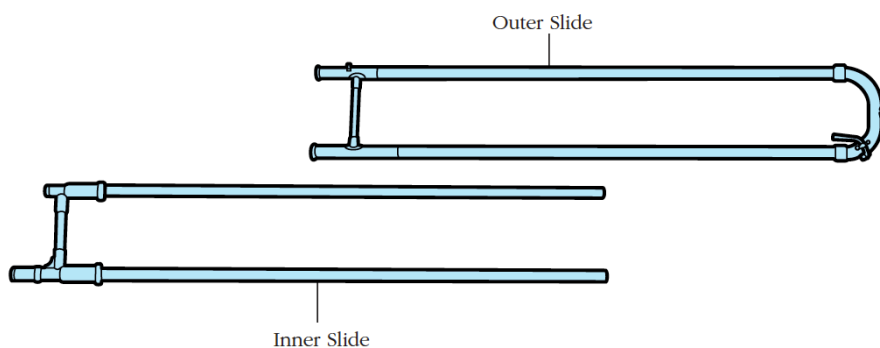


Instrument Care: Trombone

Parts of the Trombone

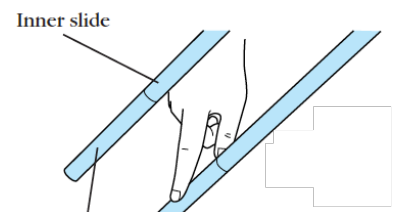


Parts of the Trombone Slide



Maintenance Equipment:

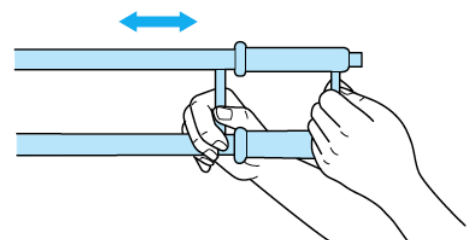
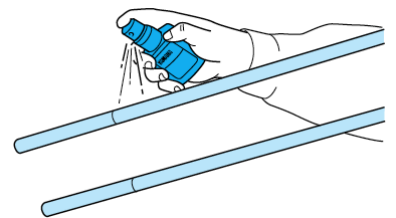
Soft rags, mouthpiece brush, slide lubricating kit (Super-Slick), tuning slide grease, cleaning snake.



Apply slide cream to these parts

Lubricating Slide with Super Slick:

1. Remove Outer Slide and place it in a safe place.
2. Spray Inner Slide with water bottle and wipe clean with a soft cloth/paper towel.
3. Apply a small dab (about a pinky nail's worth) of Slide Cream to each stocking – that's the raised part on the bottom of the slide tube (last 3 inches). Take the outer slide and, one end at a time, put it on the inner slide and move up and down and around to spread out cream on the inside of the outer slide.
4. Take off Outer Slide again. Now place 1 drop of silicon (small bottle) and repeat process above with Outer Slide.
5. Put the outer slide back on (both tubes), then spray Inner Slide with water.
6. Repeat water spray as needed to keep slide moving smooth and freely
7. Re-apply as needed – when slide feels slow or sticky (about once every week or two).

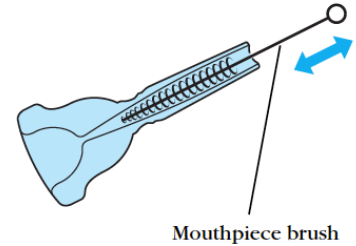


Daily Cleaning:

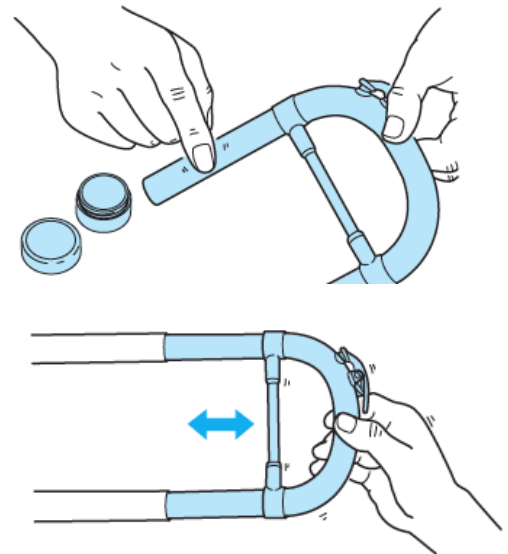
Empty spit valve after playing. Check for proper amount of slide lubricant. Wipe outside of horn with a soft cloth to remove finger prints. Rinse/wash out mouthpiece often, especially if you have been sick.

Monthly:

- Mouthpiece: Wash mouthpiece with warm water, mild soap, and brush. Wash your mouthpiece often, especially if you have been sick. Dry and be careful not to drop.

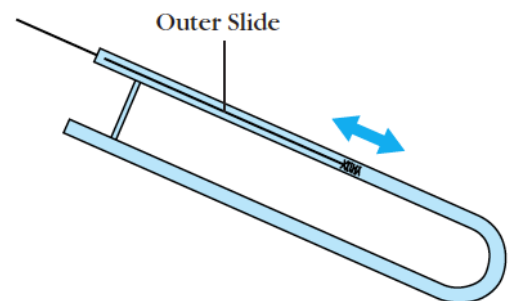


- Tuning Slides: Check your tuning slides to see how easily they move. If they are stiff, apply a little slide grease to the slide. To do this,
 - 1) Depress the piston that corresponds to the slide that you want to apply grease to and then remove the slide.
 - 2) Put a little slide grease on your finger, and then spread it around the inner slide.
 - 3) Hold the piston down and move the slide in and out a few times to spread grease.



Every few months:

Carefully pull out all slides. Rinse out and drain. Run luke-warm water (with a mild-soap solution) through all openings of instrument and valves. Apply some soap to flexible cleaner and use the cleaner to clean the inside of the instrument. Rinse and drain well. Wipe outside of instrument with a dry cloth. Let all parts dry overnight. Re-apply slide lubricant, re-grease slides and carefully assemble instrument. Play to make sure it has been correctly assembled.



Every Year:

Have instrument professionally cleaned. A Chem-Flush or a Sonic Bath will remove all germs and calcified deposits. See Mr. Petersen about arranging this at the music store.

School-owned instruments will be professionally cleaned regularly. If your own instrument has not been cleaned in a long time, please take it to a music store for a chem-flush. The above monthly cleaning will only make a very dirty instrument worse!